

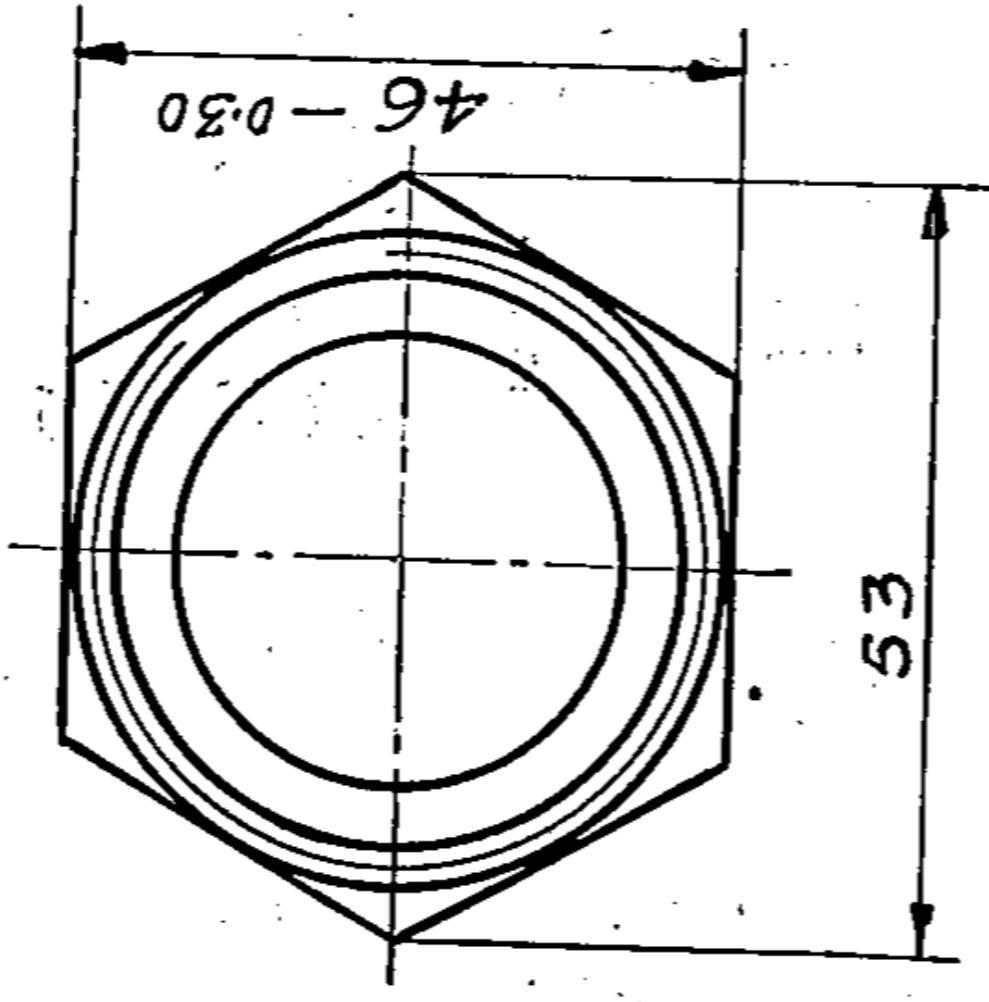
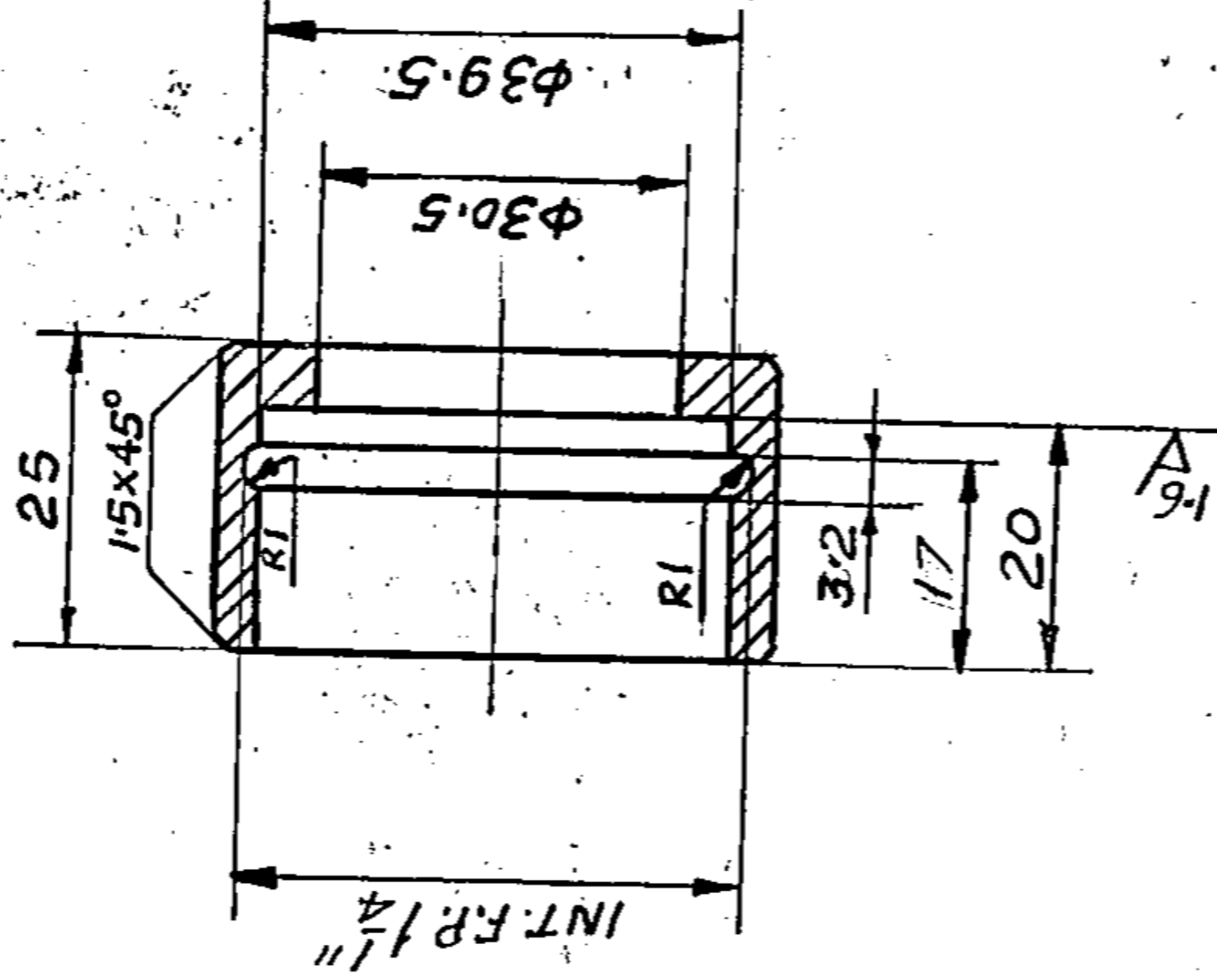
FIRST ANGLE PROJECTION (ALL DIMENSIONS ARE IN mm)

| | | | | | |
|-----|------|---------|-----|------|---------|
| REV | DATE | ALTERED | REV | DATE | ALTERED |
| | | CHECKED | | | CHECKED |

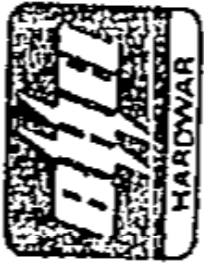
32436013

The information on this document is the property of BHARAT HEAVY ELECTRICALS LIMITED. It must not be used directly or indirectly in anyway detrimental to the interest of the company.

3:2 THE REST



| | | | | | |
|-----------------|-----|------|----------------------------|-------------|----------|
| QTY. UNIT | 003 | 0184 | HW101011214 | 0184 | 003 |
| VAR. NO. | | | STEEL C20 AA: 10108 | 2 | |
| ANT. VARI. ANT. | | | IT. MATERIAL CODE A | UNITWE. KG. | |
| | | | VAR. (MM) MATERIAL SPECN C | QTY. | |
| | | | | COMP. GROUP | |
| | | | | | B/M/GRSP |



BHARAT HEAVY ELECTRICALS LTD.
RANIPUR - HARDWAR.

| | | | | | | | | | | | |
|------------|-----------|-------|------|-------|----------|-------------|-----------|--------------------|----------|----------|-----|
| DEPT | STE | CODE | 0400 | SCALE | 1:1 | WEIGHT (KG) | 0.184 | REF. TO ASSY. DRG. | 32436010 | ITEM NO. | 003 |
| NUT | | | | | | | | | | | |
| DRWN | S.S. BORA | SIGN. | | DATE | 30.12.77 | CHECKED | M. TIWARI | DATE | 30.12.77 | APPROVED | |

Dimensions to be Controlled Within Limits as Shown
Machining Tolerance \pm .25 mm Unless Otherwise Shown. Non Machining Tolerance \pm

DRAWING NO. **32436013**

SHEET NO. **1** NO. OF SHEETS. **1**

Inventory No. 32436013
Sign & Date